



EFCOP8S

# Cooper 8s

The Cooper 8 Inset Pellet Stove is a larger version of the Cooper 6s but packs a serious punch with 8kw of heat, can be retrofitted into a standard 16" or 22" fireplace with a robust design and an easy slide out drawer to load your pellets which produces an amazing 8kw of heat thanks to our new patented design.

## KEY FEATURES

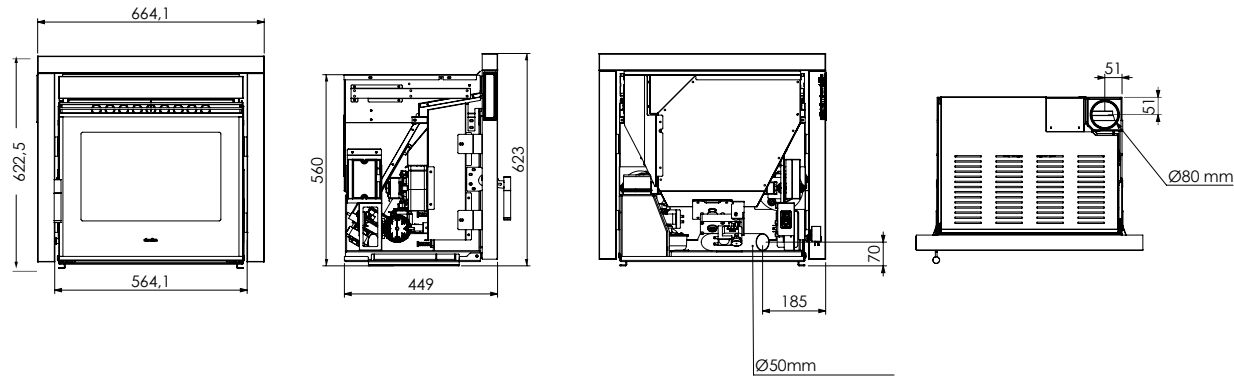
- 3.0kw – 8.6 kw Output
- 95,2 % Efficiency
- Wifi & Thermostatic remote control as standard
- Additional Emergency back-up display panel
- Black ceramic bricks in heating chamber
- Cast Iron Burning Pot
- Daily & Weekly Programmer
- Silent Running Independently controllable Room fan
- Pellet consumption per hour: Max 1.3 kg/h – Min 0.5 kg/h
- Pellet tank capacity: 13.5 kg
- Heated room size: 70 – 200 mc
- Easy Slide Out Loading Drawer to fill up with pellets
- Comes with Frame in 3 or 4 Sided
- Optional Top flue connector available for ease of installation

A+

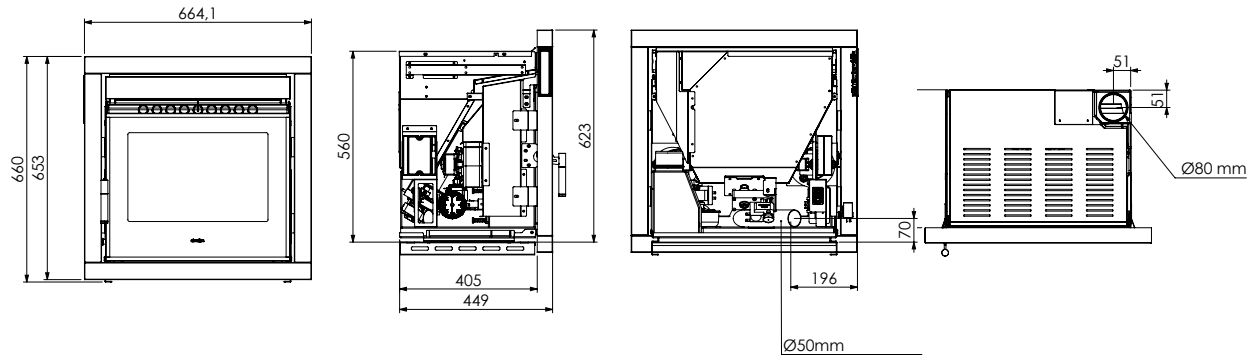


**elcofire**

### 3 SIDED FRAME



### 4 SIDED FRAME



# Flue options

## COOPER TOP FLUE



## STRATA TOP FLUE



## KORA TOP FLUE



# elcofire

BEYOND EXPECTATION

YOUR DEDICATED SALES AGENT:

[elcofire.com](https://www.elcofire.com)    

Elcofire is part of the Nedar Heat Company